
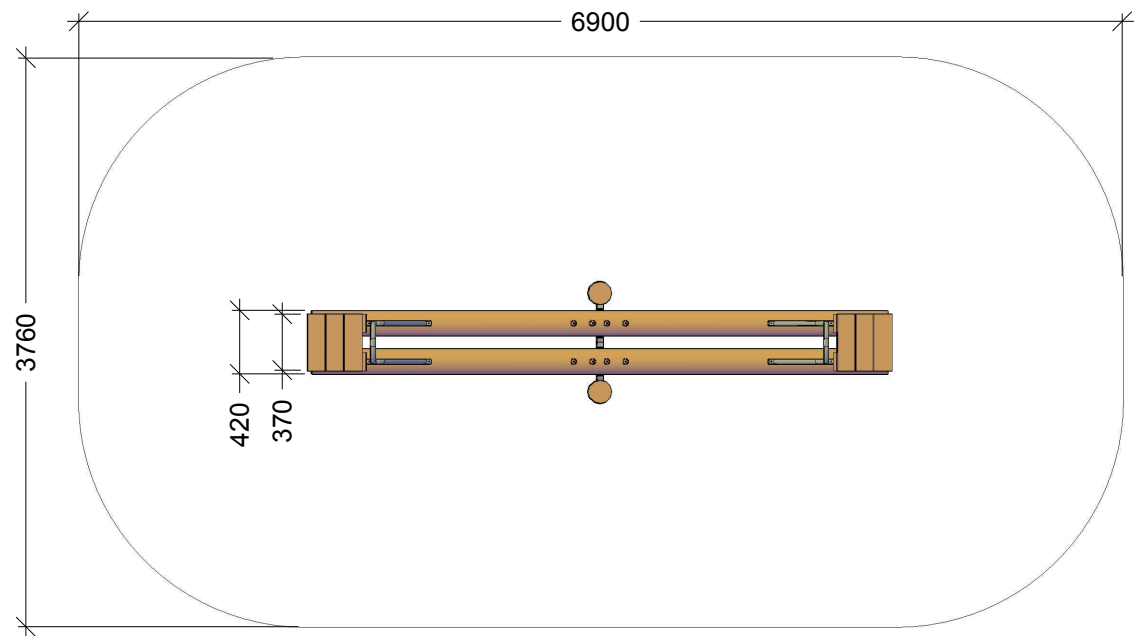
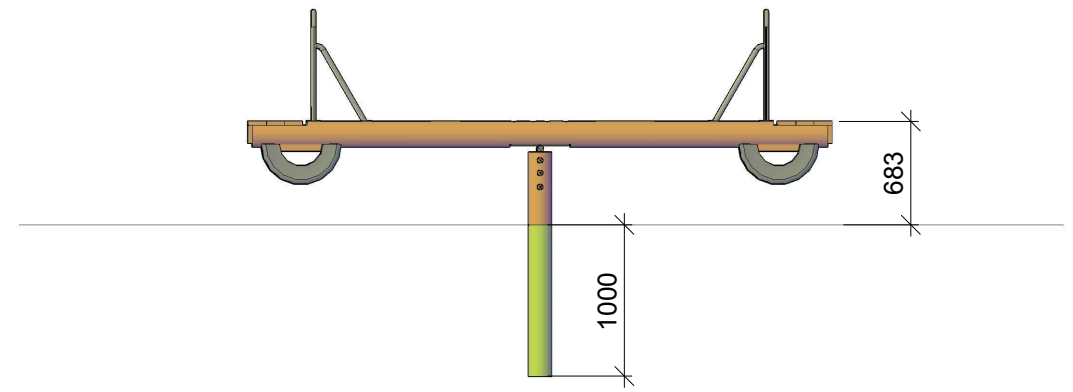
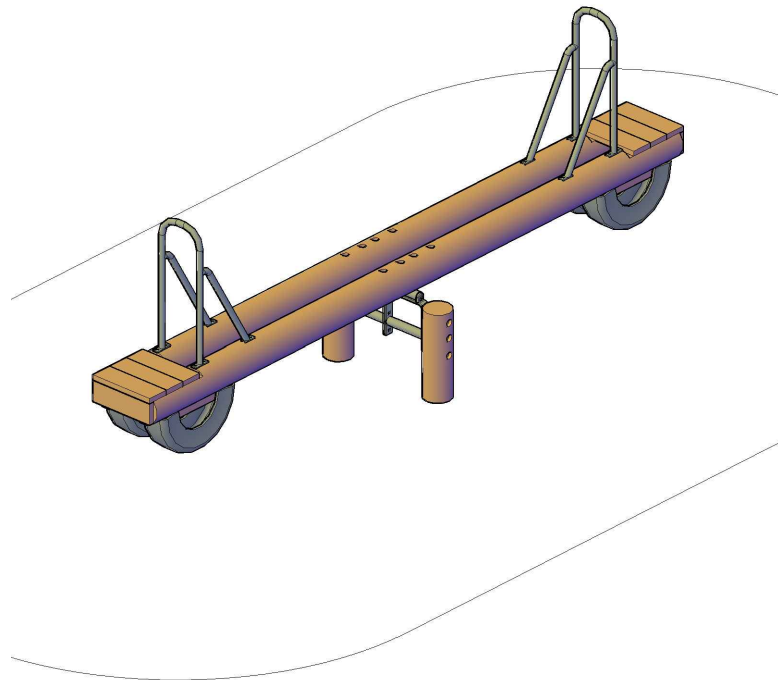


<b>NORLEG</b>	
Ståvippe	
Z11215	
17.12.2013	REV. 08.09.2016

< 1200



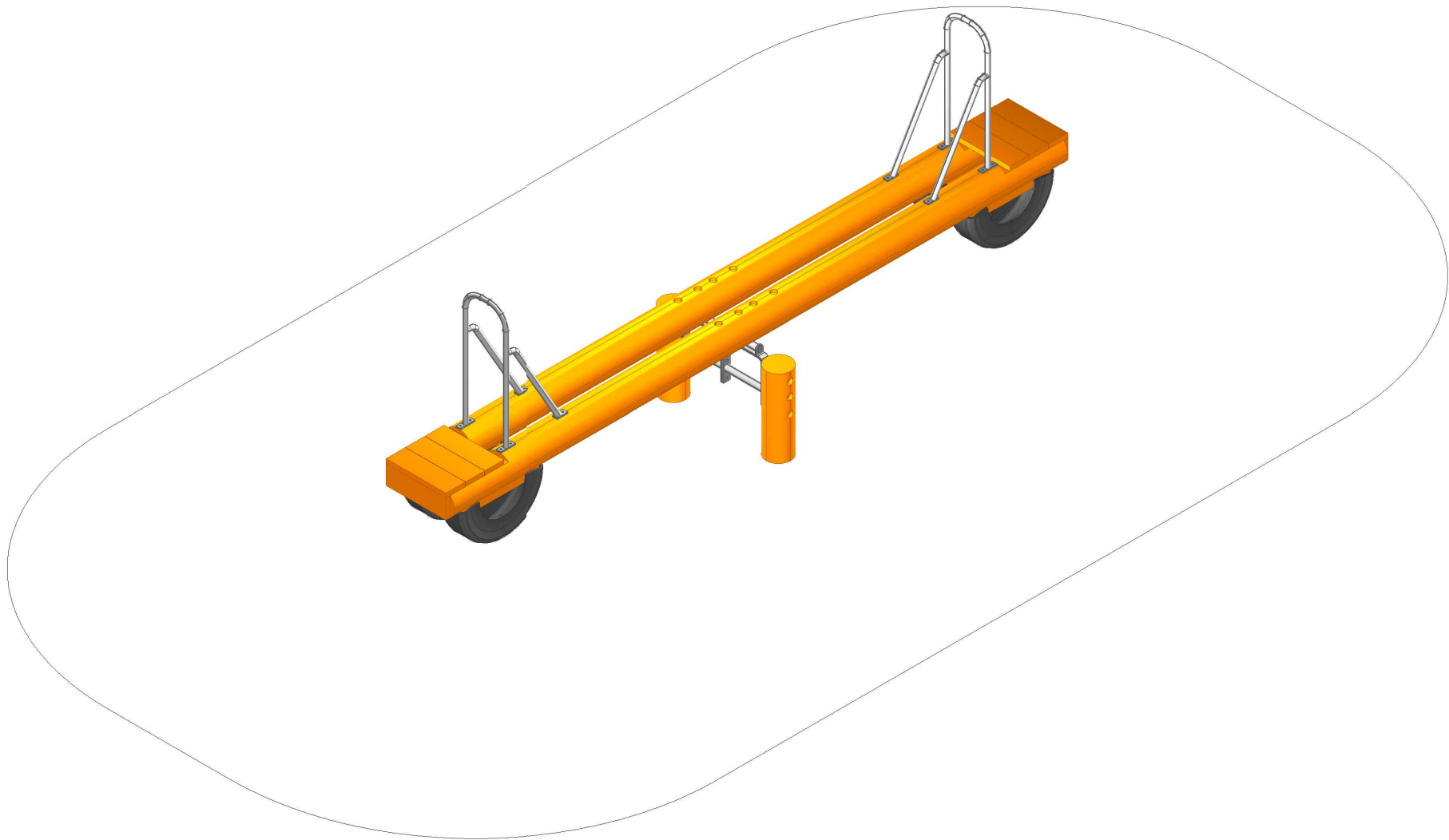
≥ EN 1176



1:50

This drawing is the property of NORLEG and pursuant to current legislation may not be copied, transferred to or used by any third party. Should this drawing be used, a fee of 10% of the assumed contract price will be charged.

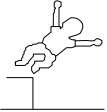
NORLEG - 3D	
Ståvippe	
Z11215	
17.12.2013	REV. 08.09.2016



This drawing is the property of NORLEG and pursuant to current legislation may not be copied, transferred to or used by any third party. Should this drawing be used, a fee of 10% of the assumed contract price will be charged.

<b>NORLEG</b> - Mont.	
Ståvippe	
Z11215	
17.12.2013	REV. 08.09.2016

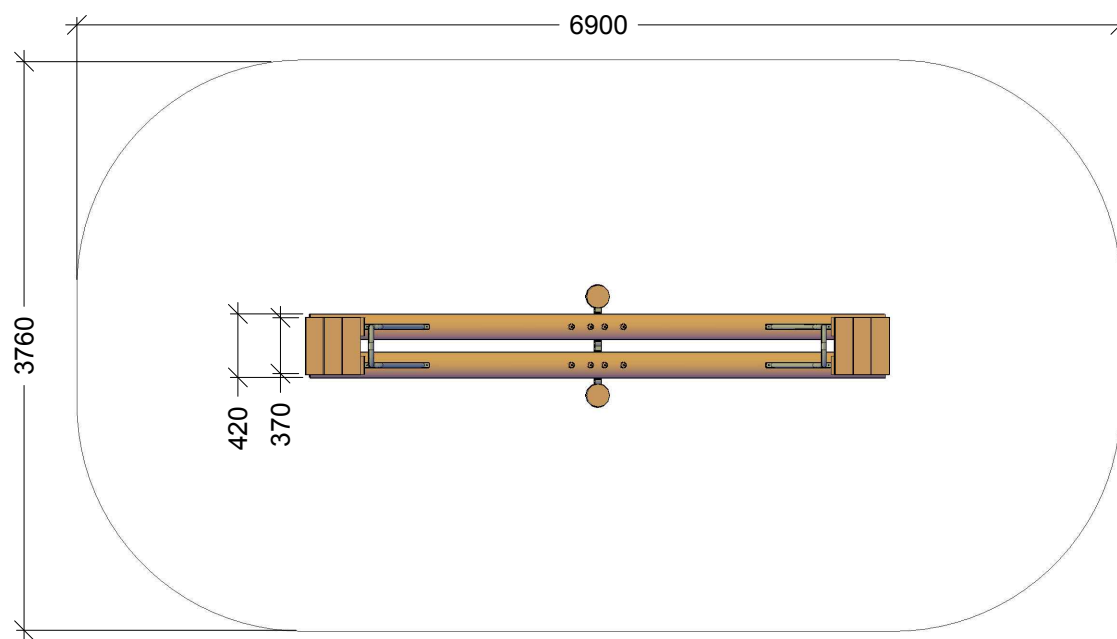
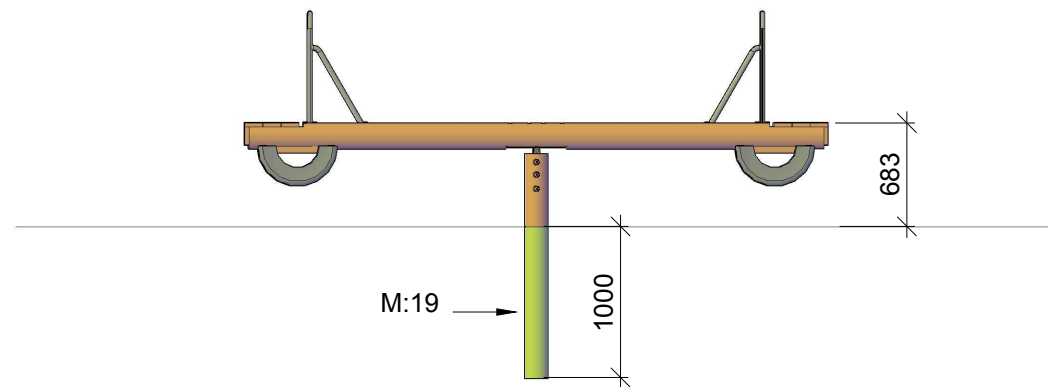
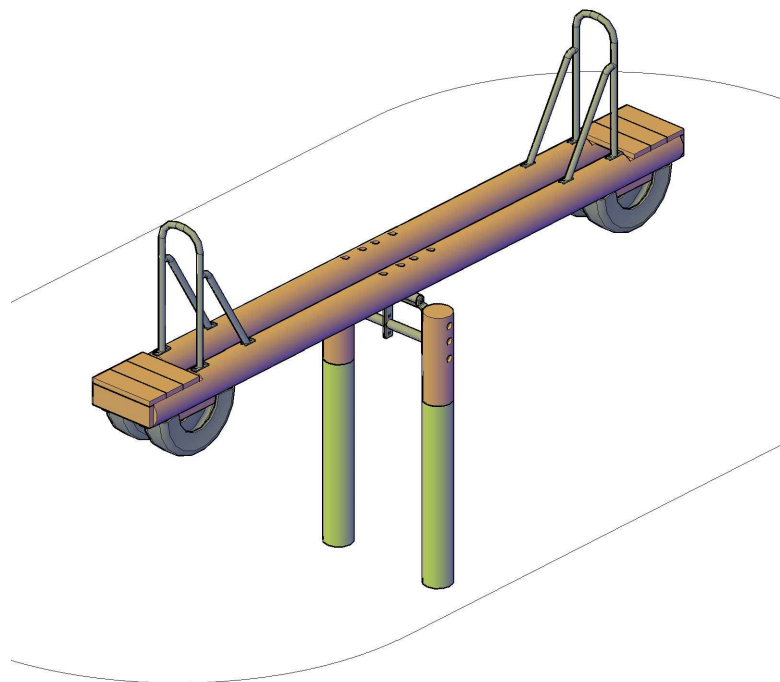
< 1200



≥ EN 1176

Mont.p. nr.

19



This drawing is the property of NORLEG and pursuant to current legislation may not be copied, transferred to or used by any third party. Should this drawing be used, a fee of 10% of the assumed contract price will be charged.

1:50