
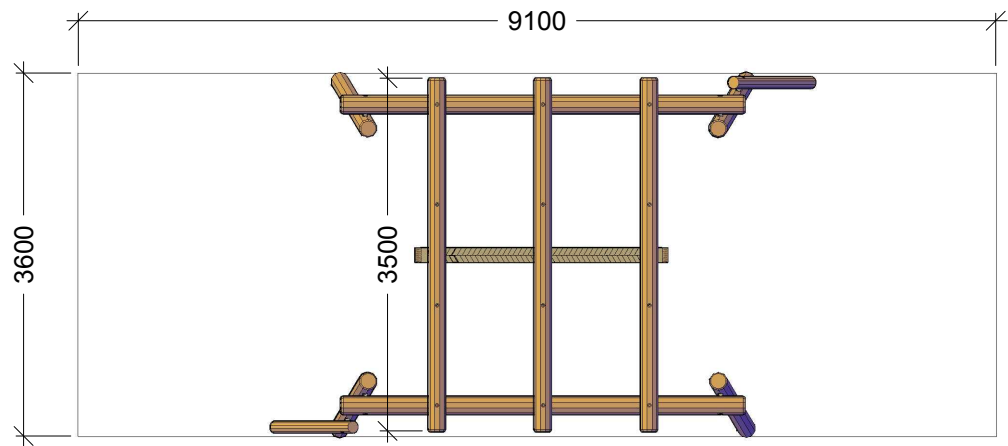
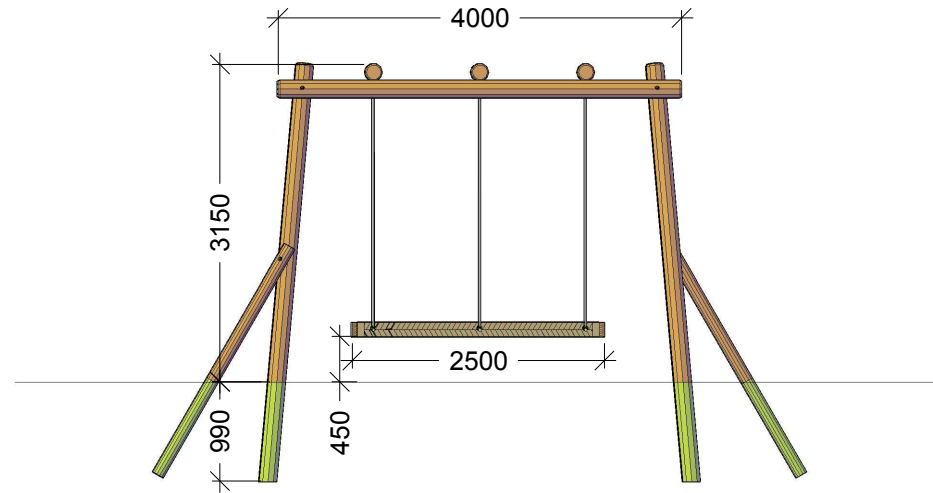
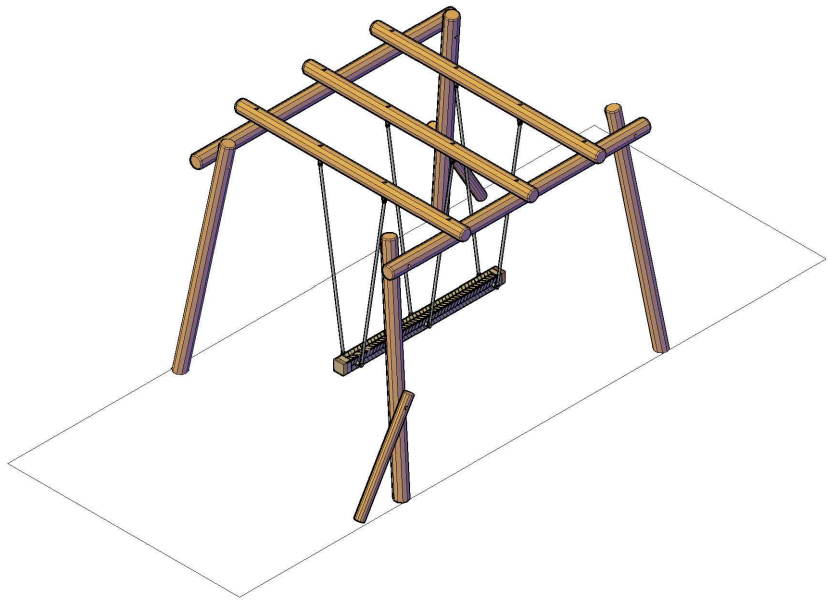


NORLEG	
Familiegyngje	
Z11332	
07.02.2014	REV. 16.09.2016

< 1500



≥ EN 1176



This drawing is the property of NORLEG and pursuant to current legislation may not be copied, transferred to or used by any third party. Should this drawing be used, a fee of 10% of the assumed contract price will be charged.

1:75

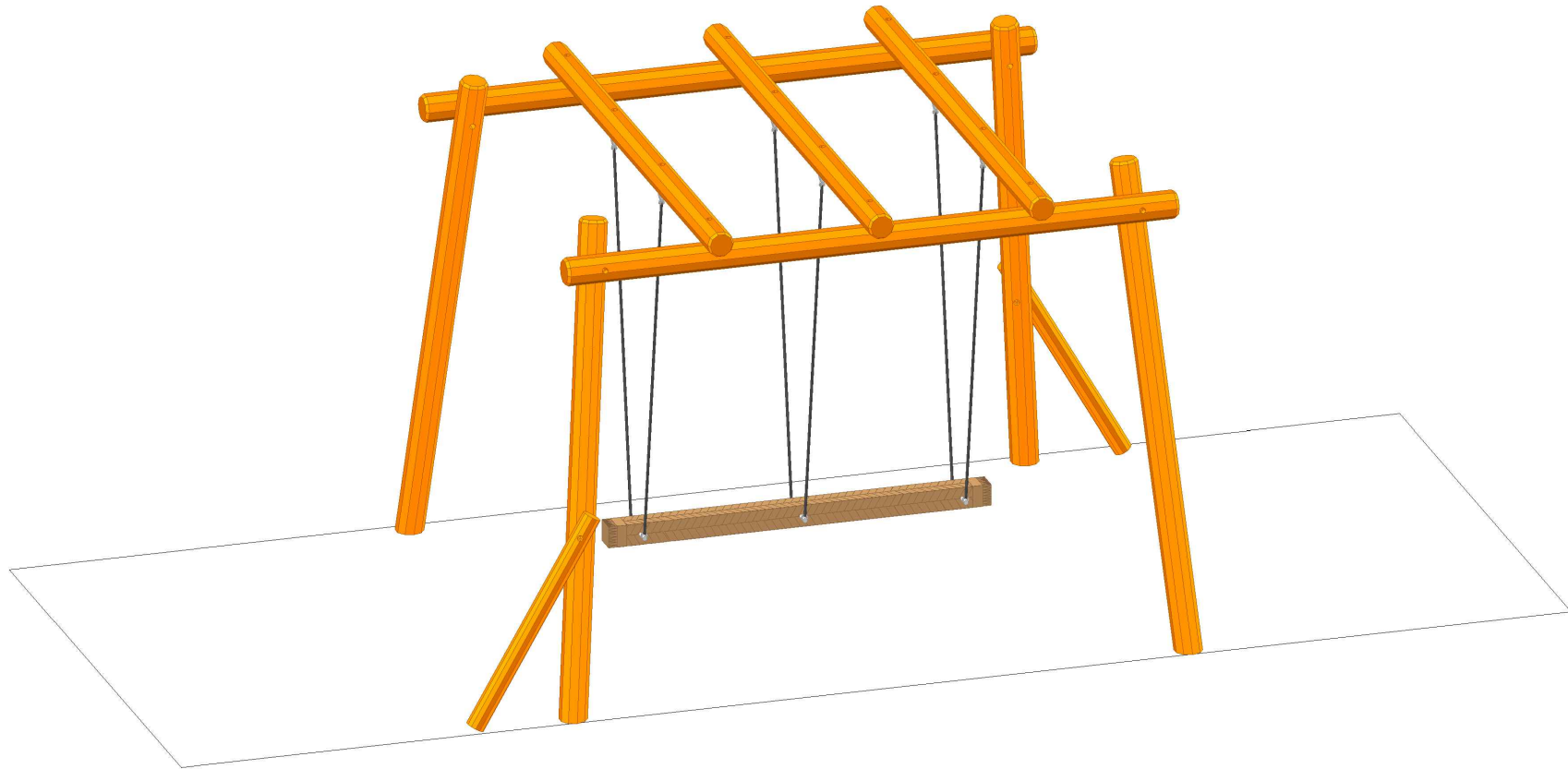
NORLEG - 3D

Familiegynge

Z11332

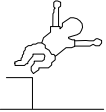
07.02.2014

REV. 16.09.2016

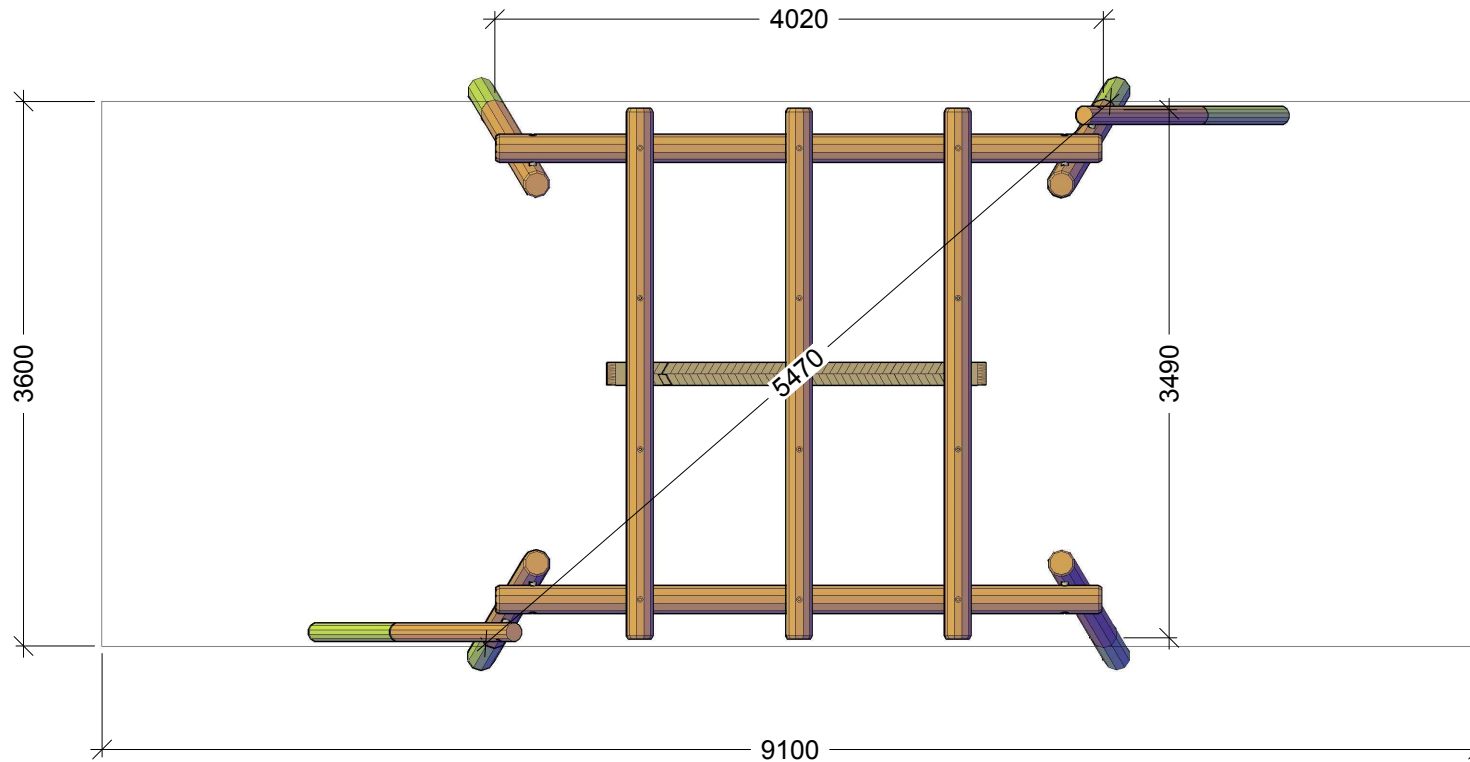


NORLEG - Mont.	
Familiegyngje	
Z11332	
07.02.2014	REV. 16.09.2016

< 1500



≥ EN 1176




1:50

This drawing is the property of NORLEG and pursuant to current legislation may not be copied, transferred to or used by any third party. Should this drawing be used, a fee of 10% of the assumed contract price will be charged.

NORLEG - Mont.	
Familiegyngje	
Z11332	
07.02.2014	REV. 16.09.2016

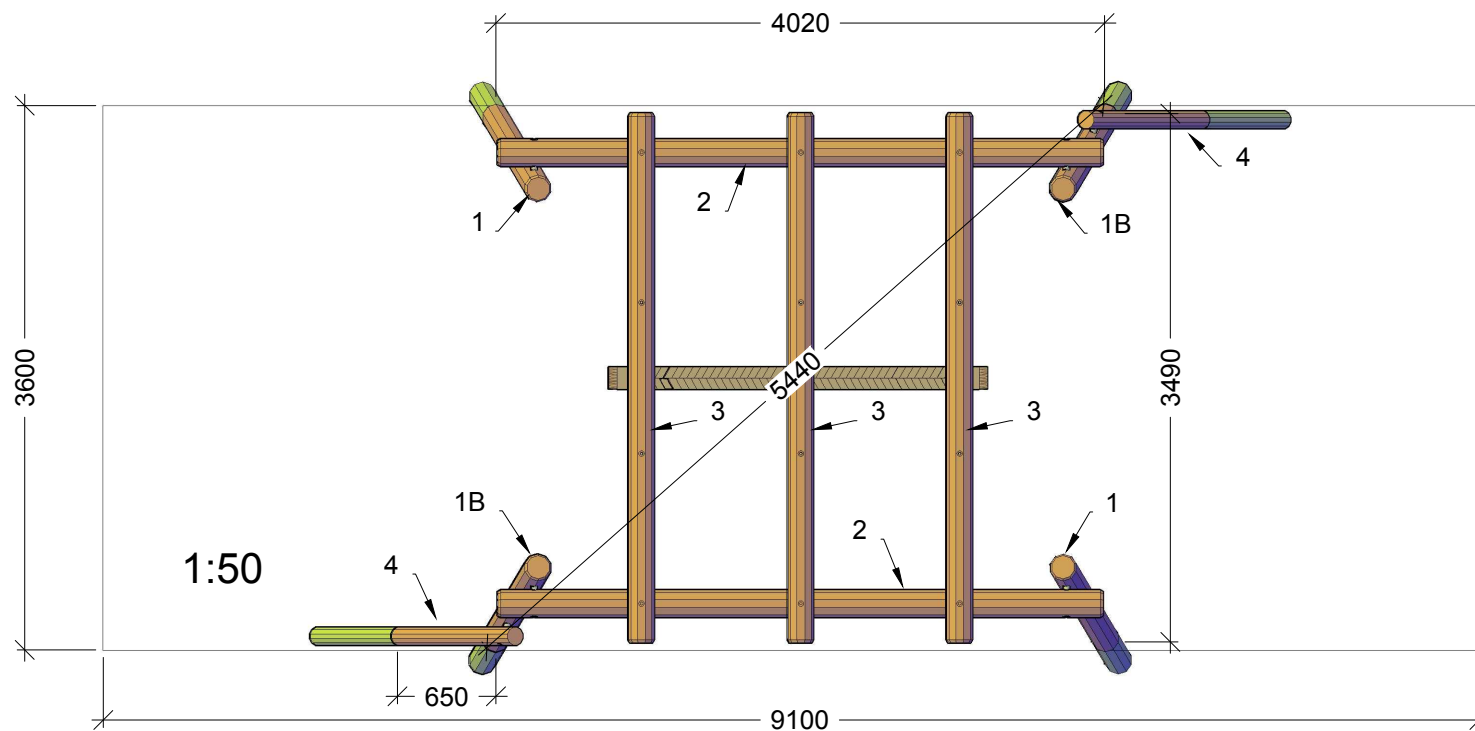
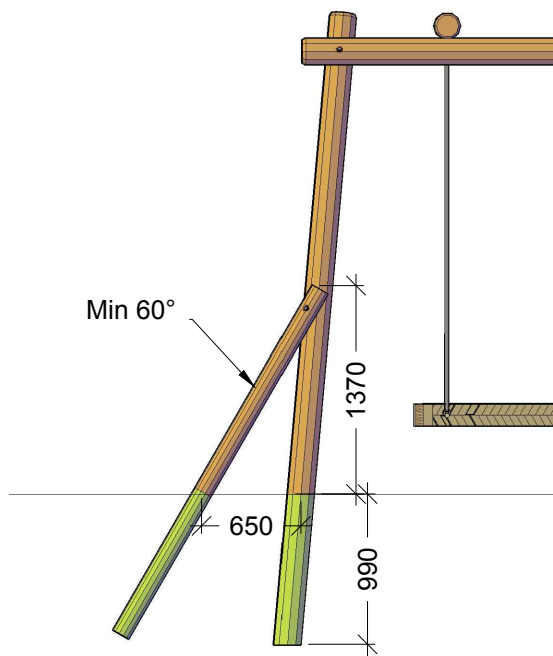
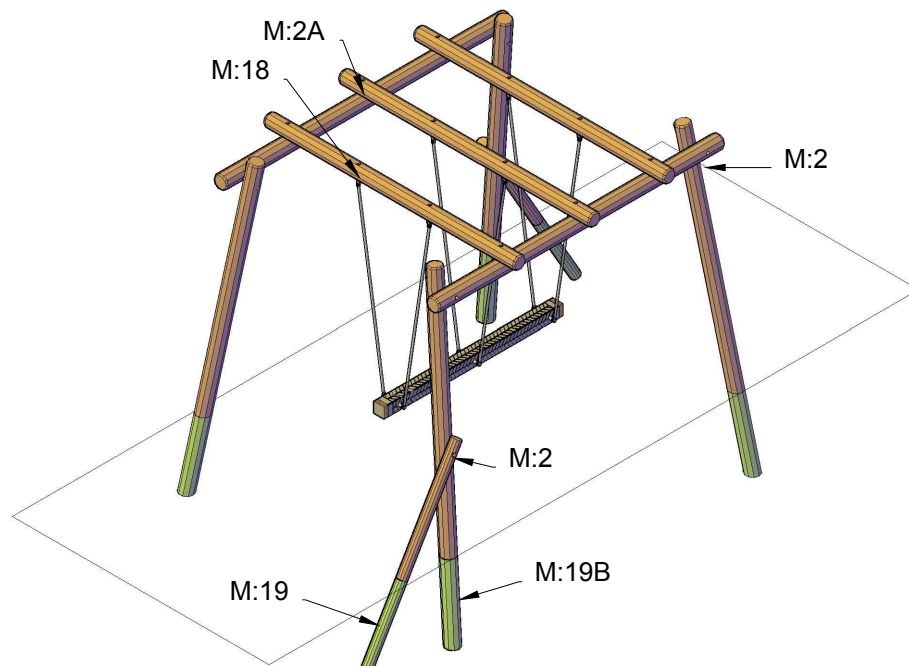
< 1500



≥ EN 1176

Mont.p. nr.

- 2
- 18
- 19
- 19B



This drawing is the property of NORLEG and pursuant to current legislation may not be copied, transferred to or used by any third party. Should this drawing be used, a fee of 10% of the assumed contract price will be charged.