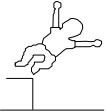
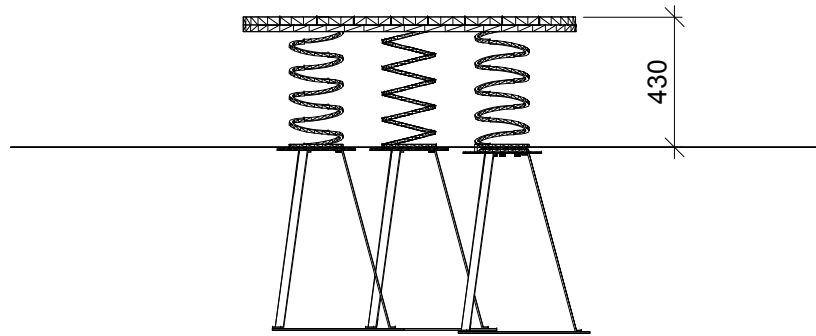
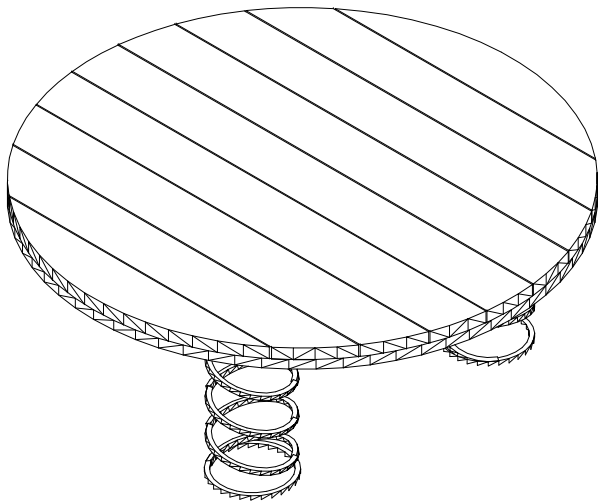


NORLEG	
Vippe platform Ø1100	
Z11169	
23.05.2016	REV. -

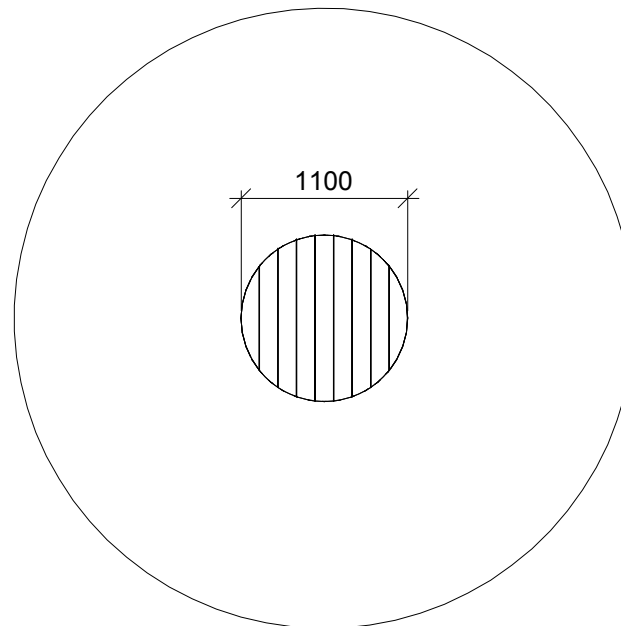
< 600



≥ EN 1176

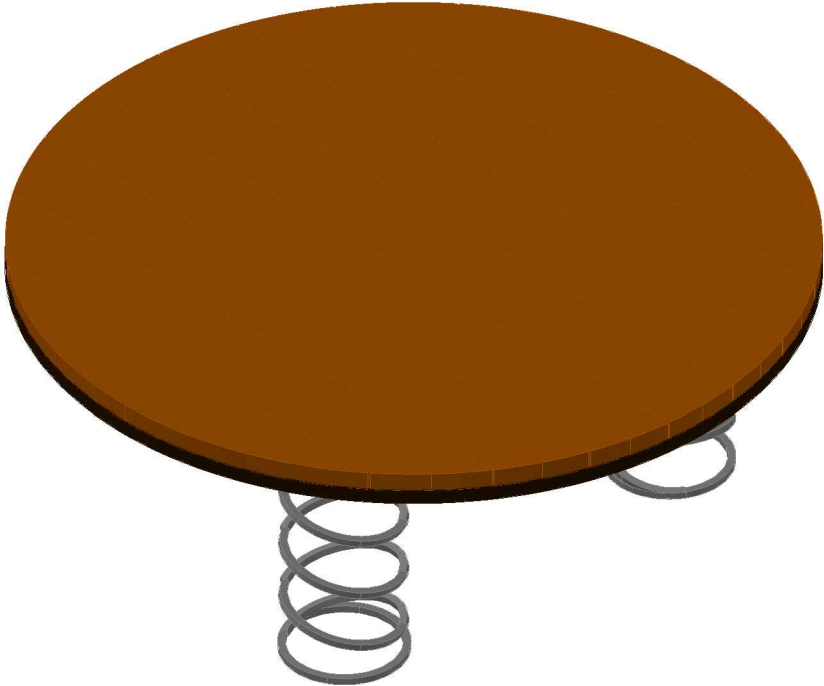


1:25



1:50


NORLEG - 3D	
Vippe platform Ø1100	
Z11169	
23.05.2016	REV. -



This drawing is the property of NORLEG and pursuant to current legislation may not be copied, transferred to or used by any third party. Should this drawing be used, a fee of 10% of the assumed contract price will be charged.

NORLEG - Mont.	
Vippe platform Ø1100	
Z11169	
23.05.2016	REV. -

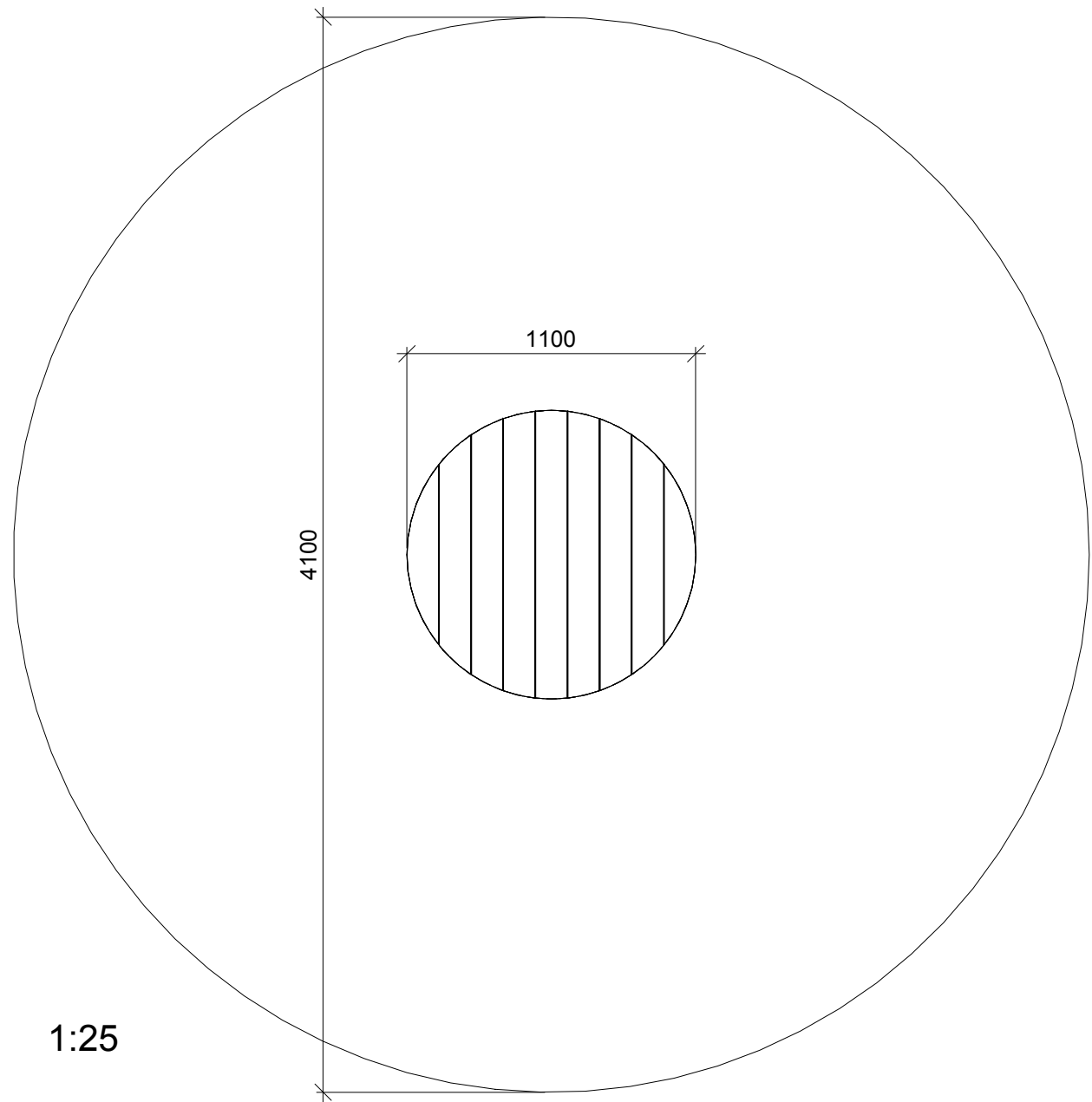
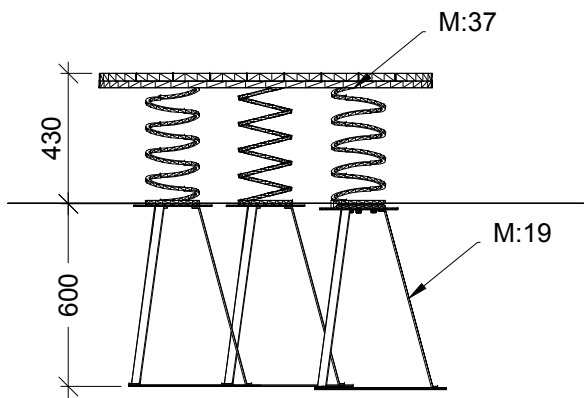
< 600



≥ EN 1176

Mont.p. nr.

- 19
- 37



1:25

This drawing is the property of NORLEG and pursuant to current legislation may not be copied, transferred to or used by any third party. Should this drawing be used, a fee of 10% of the assumed contract price will be charged.